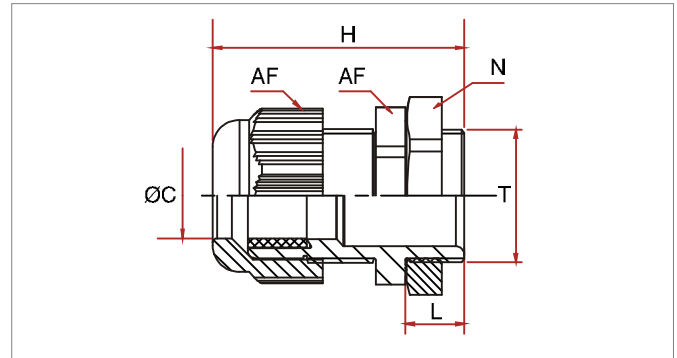


CABLE GLANDS - SILVER GREY COLOR (RAL 7001)



Properties

Dome Nut	Polyamide PA6-V2
Gland Body	Polyamide PA6-V2
Flat / O Ring	Nitrile Rubber NBR
Sealing Ring	Nitrile Rubber NBR
Temperature Range	-20°C to +100°C

Technical Data

Connecting Thread	Metric as per EN 60423
	Pg as per DIN 40430
Protection Grade	IP 68
Test Standard	IEC / EN 50262
UL File No.	
Approvals	

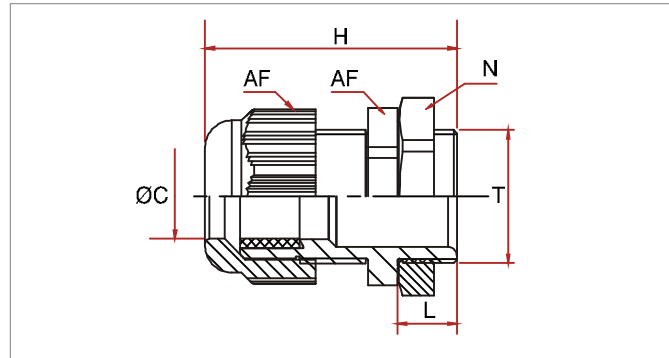


POLYAMIDE

Cable Glands - Metric Thread						Hexagonal Dimensions	
Article No.	External Thread	Clamping Range	Entry Thread Length	Height	Packet Size	Across Flats	Locknut
	T	ØC (mm)	L (mm)	H (mm)	(Pcs.)	AF (mm)	N (mm)
01 17 11033	M 12	3 - 6	8	31	100	15	17
01 17 11034	M 16	5 - 10	8	35	100	20	22
01 17 11035	M 20	8 - 13	8	37	100	24	27
01 17 11036	M 25	11 - 17	10	44	50	29	32
01 17 11037	M 32	15 - 21	15	55	25	36	41
01 17 11038	M 40	19 - 28	15	58	20	46	50
01 17 11039	M 50	27 - 35	18	67	10	55	60
01 17 11040	M 63	32 - 42	18	71	5	68	75

Cable Glands - Pg Thread						Hexagonal Dimensions	
Article No.	External Thread	Clamping Range	Entry Thread Length	Height	Packet Size	Across Flats	Locknut
	T	ØC (mm)	L (mm)	H (mm)	(Pcs.)	AF (mm)	N (mm)
01 17 11057	Pg 7	3 - 6.5	8	31	100	15	19
01 17 11058	Pg 9	4 - 8	8	34	100	19	22
01 17 11059	Pg 11	5 - 10	8	37	100	22	24
01 17 11060	Pg 13.5	6 - 12	9	39	100	24	27
01 17 11061	Pg 16	10 - 14	10	42	50	27	30
01 17 11062	Pg 21	13 - 18	15	50	50	33	36
01 17 11063	Pg 29	18 - 25	15	56	25	42	46
01 17 11064	Pg 36	22 - 32	15	65	10	53	60
01 17 11065	Pg 42	30 - 38	18	70	5	60	65
01 17 11066	Pg 48	34 - 44	18	71	5	65	70

CABLE GLANDS - LIGHT GREY COLOR (RAL 7035)



Properties

Dome Nut	Polyamide PA6-V2
Gland Body	Polyamide PA6-V2
Flat / O Ring	Nitrile Rubber NBR
Sealing Ring	Nitrile Rubber NBR
Temperature Range	-20°C to +100°C

Technical Data

Connecting Thread	Metric as per EN 60423
	Pg as per DIN 40430
Protection Grade	IP 68
Test Standard	IEC / EN 50262
UL File No.	
Approvals	

POLYAMIDE

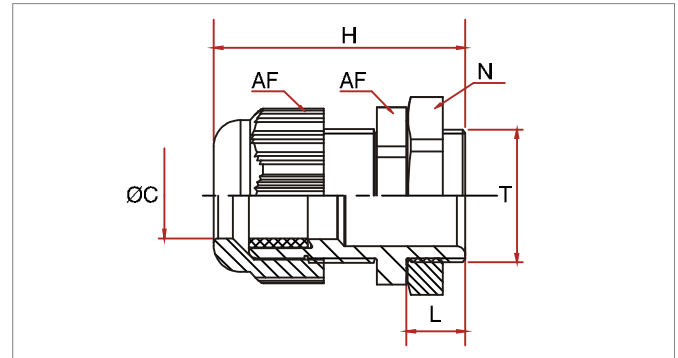
Cable Glands - Metric Thread						Hexagonal Dimensions	
Article No.	External Thread	Clamping Range	Entry Thread Length	Height	Packet Size	Across Flats	Locknut
	T	ØC (mm)	L (mm)	H (mm)	(Pcs.)	AF (mm)	N (mm)
01 17 11041	M 12	3 - 6	8	31	100	15	17
01 17 11042	M 16	5 - 10	8	35	100	20	22
01 17 11043	M 20	8 - 13	8	37	100	24	27
01 17 11044	M 25	11 - 17	10	44	50	29	32
01 17 11045	M 32	15 - 21	15	55	25	36	41
01 17 11046	M 40	19 - 28	15	58	20	46	50
01 17 11047	M 50	27 - 35	18	67	10	55	60
01 17 11048	M 63	32 - 42	18	71	5	68	75

Cable Glands - Pg Thread						Hexagonal Dimensions	
Article No.	External Thread	Clamping Range	Entry Thread Length	Height	Packet Size	Across Flats	Locknut
	T	ØC (mm)	L (mm)	H (mm)	(Pcs.)	AF (mm)	N (mm)
01 17 11067	Pg 7	3 - 6.5	8	31	100	15	19
01 17 11068	Pg 9	4 - 8	8	34	100	19	22
01 17 11069	Pg 11	5 - 10	8	37	100	22	24
01 17 11070	Pg 13.5	6 - 12	9	39	100	24	27
01 17 11071	Pg 16	10 - 14	10	42	50	27	30
01 17 11072	Pg 21	13 - 18	15	50	50	33	36
01 17 11073	Pg 29	18 - 25	15	56	25	42	46
01 17 11074	Pg 36	22 - 32	15	65	10	53	60
01 17 11075	Pg 42	30 - 38	18	70	5	60	65
01 17 11076	Pg 48	34 - 44	18	71	5	65	70

CABLE GLANDS - POLYAMIDE

CABLE GLANDS - BLACK COLOR (RAL 9005)

Available with Lock Nuts



Properties

Dome Nut	Polyamide PA6-V2
Gland Body	Polyamide PA6-V2
Flat / O Ring	Nitrile Rubber NBR
Sealing Ring	Nitrile Rubber NBR
Temperature Range	-20°C to +100°C

Technical Data

Connecting Thread	Metric as per EN 60423
	Pg as per DIN 40430
Protection Grade	IP 68
Test Standard	IEC / EN 50262
UL File No.	
Approvals	

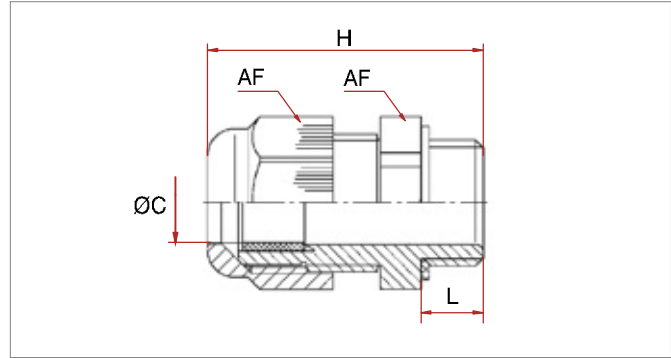


POLYAMIDE

Cable Glands - Metric Thread						Hexagonal Dimensions	
Article No.	External Thread	Clamping Range	Entry Thread Length	Height	Packet Size	Across Flats	Locknut
	T	ØC (mm)	L (mm)	H (mm)	(Pcs.)	AF (mm)	N (mm)
01 17 11049	M 12	3 - 6	8	31	100	15	17
01 17 11050	M 16	5 - 10	8	35	100	20	22
01 17 11051	M 20	8 - 13	8	37	100	24	27
01 17 11052	M 25	11 - 17	10	44	50	29	32
01 17 11053	M 32	15 - 21	15	55	25	36	41
01 17 11054	M 40	19 - 28	15	58	20	46	50
01 17 11055	M 50	27 - 35	18	67	10	55	60
01 17 11056	M 63	32 - 42	18	71	5	68	75

Cable Glands - Pg Thread						Hexagonal Dimensions	
Article No.	External Thread	Clamping Range	Entry Thread Length	Height	Packet Size	Across Flats	Locknut
	T	ØC (mm)	L (mm)	H (mm)	(Pcs.)	AF (mm)	N (mm)
01 17 11077	Pg 7	3 - 6.5	8	31	100	15	19
01 17 11078	Pg 9	4 - 8	8	34	100	19	22
01 17 11079	Pg 11	5 - 10	8	37	100	22	24
01 17 11080	Pg 13.5	6 - 12	9	39	100	24	27
01 17 11081	Pg 16	10 - 14	10	42	50	27	30
01 17 11082	Pg 21	13 - 18	15	50	50	33	36
01 17 11083	Pg 29	18 - 25	15	56	25	42	46
01 17 11084	Pg 36	22 - 32	15	65	10	53	60
01 17 11085	Pg 42	30 - 38	18	70	5	60	65
01 17 11086	Pg 48	34 - 44	18	71	5	65	70

CABLE GLANDS - COMBINATION TYPE



Properties

Dome Nut	Polyamide PA6-V2
Gland Body	Polyamide PA6-V2
Flat / O Ring	Nitrile Rubber NBR
Sealing Ring	Nitrile Rubber NBR
Temperature Range	-20°C to +100°C

Technical Data

Connecting Thread	Metric as per EN 60423
Protection Grade	IP 68
Test Standard	IEC / EN 50262
UL File No.	

Approvals



POLYAMIDE

Cable Glands - Combination Type						Hexagonal Dimensions
Article No.	External Thread / Entry Thread	Clamping Range	Entry Thread Length	Height	Packet Size	Across Flats
	Silver Grey Color	ØC (mm)	L (mm)	H (mm)	(Pcs.)	AF (mm)
01 09 00495	Pg 11 / M 16 PA 7001	5 - 10	15	44	100	22
01 09 00496	Pg 13 / M 20 PA 7001	6 - 12	11	41.5	100	24
01 09 00492	Pg 16 / M 20 PA 7001	10 - 14	15	47.5	50	27
01 09 00497	Pg 21 / M 25 PA 7001	13 - 18	15	52	50	33
01 09 00458	Pg 29 / M 32 PA 7001	18 - 25	15	57	25	42
01 09 00460	Pg 42 / M 50 PA 7001	30 - 38	18	73.5	5	60
Article No.	External Thread / Entry Thread	Clamping Range	Entry Thread Length	Height	Packet Size	Across Flats
	Light Grey Color	ØC (mm)	L (mm)	H (mm)	(Pcs.)	AF (mm)
01 09 01203	Pg 11 / M 16 PA 7035	5 - 10	15	44	100	22
01 09 01204	Pg 13 / M 20 PA 7035	6 - 12	11	41.5	100	24
01 09 01205	Pg 16 / M 20 PA 7035	10 - 14	15	47.5	50	27
01 09 01206	Pg 21 / M 25 PA 7035	13 - 18	15	52	50	33
01 09 01207	Pg 29 / M 32 PA 7035	18 - 25	15	57	25	42
01 09 01208	Pg 42 / M 50 PA 7035	30 - 38	18	73.5	5	60
Article No.	External Thread / Entry Thread	Clamping Range	Entry Thread Length	Height	Packet Size	Across Flats
	Black Color	ØC (mm)	L (mm)	H (mm)	(Pcs.)	AF (mm)
01 09 00542	Pg 11 / M 16 PA 9005	5 - 10	15	44	100	22
01 09 00450	Pg 13 / M 20 PA 9005	6 - 12	11	41.5	100	24
01 09 00485	Pg 16 / M 20 PA 9005	10 - 14	15	47.5	50	27
01 09 00541	Pg 21 / M 25 PA 9005	13 - 18	15	52	50	33
01 09 00486	Pg 29 / M 32 PA 9005	18 - 25	15	57	25	42
01 09 00487	Pg 42 / M 50 PA 9005	30 - 38	18	73.5	5	60